



RHINO-RACK

Jeep Wrangler JL 4-Door Backbone - RJLB1

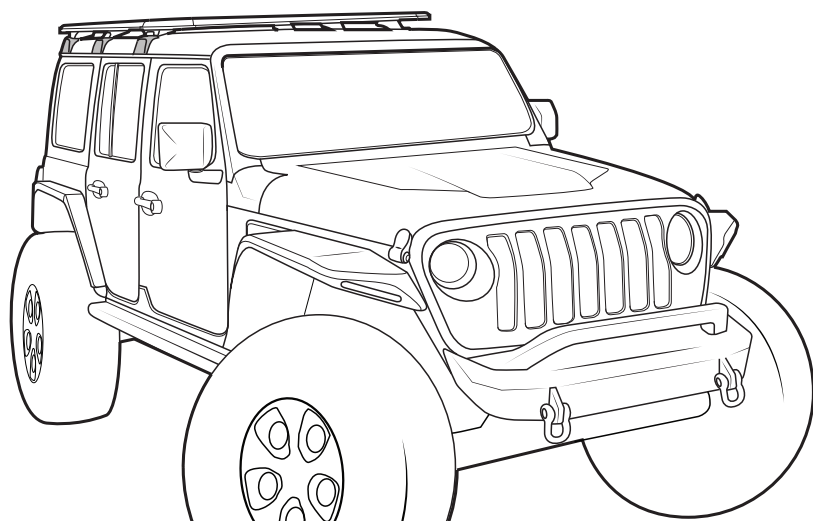
Fit Time: 2 Hour

Date Purchased: _____

Date Fitted: _____

Fitment By: _____

Km/Mi at Fitment: _____



IMPORTANT INFORMATION

Maximum carrying capacity:

Suitable Systems	On Road Cargo Allowance	Off Road Cargo Allowance	Static Allowance	Roof Allowance	Rack Weight
42108B	86.5kg / 191lbs	62.5kg / 138lbs	326.5kg / 720lbs	120kg / 265lbs	33.5kg / 74lbs
45108B	81kg / 179lbs	57kg / 126lbs	321kg / 708lbs		39kg / 86lbs
3 Crossbars	99.5 / 219lbs	79kg / 174lbs	339.5kg / 748lbs		20.5kg / 45lbs

- Off Road:** Any driven path taken that is not on sealed (tarred / bitumen) and maintained
 - Roof Allowance:** Total permissible weight attached to the roof of the car. This is inclusive of the weight of the roof rack system
 - Cargo Allowance:** Total permissible weight allowed on top, and attached to roof racks whilst the vehicle is in motion
 - Static Allowance:** Total permissible weight allowed on top, and attached to roof racks whilst the vehicle is stationary
- Load must be evenly distributed over the entire Pioneer. Weight of roof rack accessories is to be included in cargo allowance.

Torque settings

Unless stated otherwise in these instructions, all fasteners should be set to the following torque settings -
 M6: 4-5Nm (3-4lbs/ft), M8: 8-10Nm (6-7.5lbs/ft) and M10: 16-18Nm (12-13lbs/ft).

Warning:

- Check the Rhino-Rack website to ensure you have the latest issue of the instructions
- Check Part No. and / or Kit is correct for use with your vehicle
- Do not attempt to fit the rack system to your vehicle unless you fully understand these fitting instructions. Please direct any questions regarding fitting to the dealer from where the roof racks were purchased.
- **Use only non-stretch fastening ropes or straps.**
- The handling characteristics of the vehicle changes when you transport a load on the roof. For safety reasons we recommend you exercise extreme care when transporting wind-resistant loads. Special consideration must be taken into account when cornering and braking.
- Although the system is tested and approved to AS1235-2000 / ISO 11154, off-road conditions can be much more rigorous. Extreme care must be taken in off road conditions

Recommendations:

It is essential that all bolt connections be checked after driving a short distance when you first install your roof racks. Bolt connections should be checked again at regular intervals (once a week is enough, depending on road conditions, usage, loads and distances travelled). You should also check the roof racks each time they are re-fitted. Always make sure to fasten your load securely. Please also ensure that all loads are evenly distributed and that the centre of gravity is kept as low as possible and must be entirely contained within the extents of the roof racks.

Note for Dealers and Fitters:

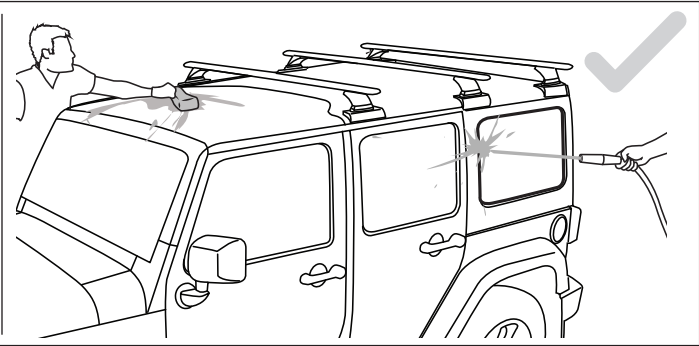
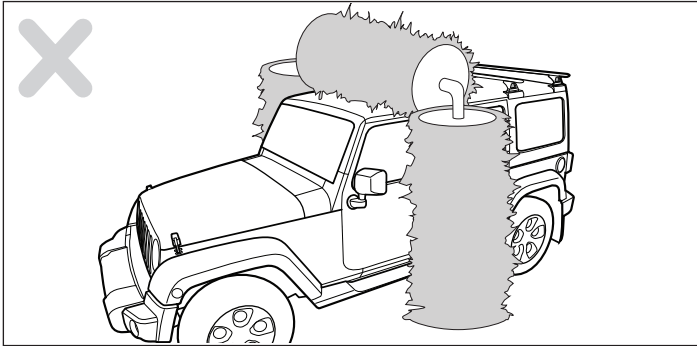
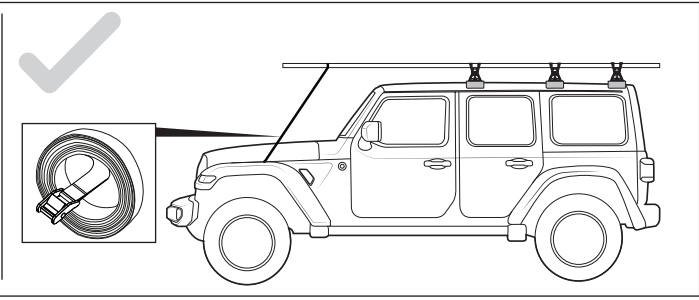
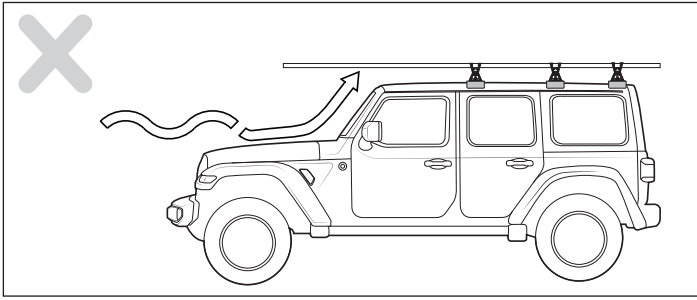
It is your responsibility to ensure these fitting instructions are given to the end user or client.

Rhino-Rack, 22 Hanson Pl, Eastern Creek
 NSW 2766, Australia
 (02) 8846 1900
 rhinorack.com.au

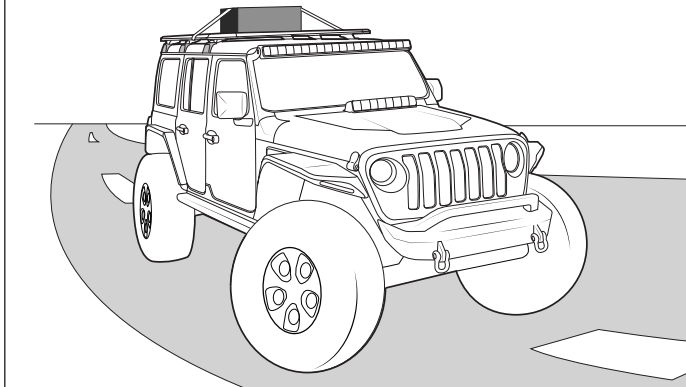
Document No: R1823
 Issue No: 01
 Issue Date: 08/05/2019

These instructions remain the property of Rhino-Rack Australia Pty. Ltd. and may not be used or changed for any other purpose than intended.

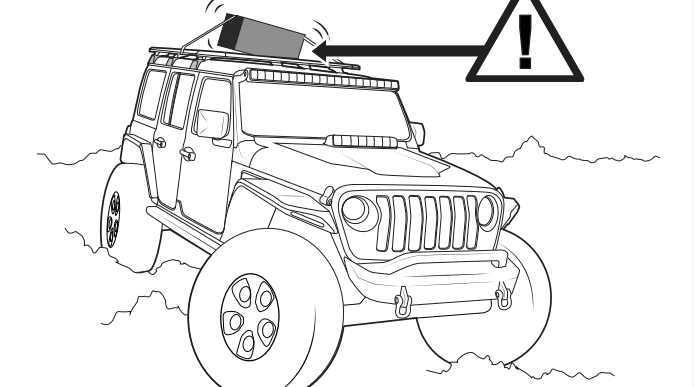
Jeep Wrangler JL 4-Door - RJLB1



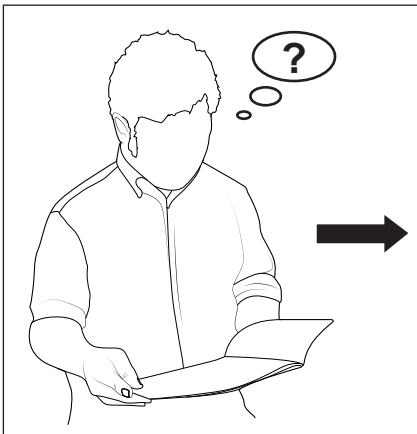
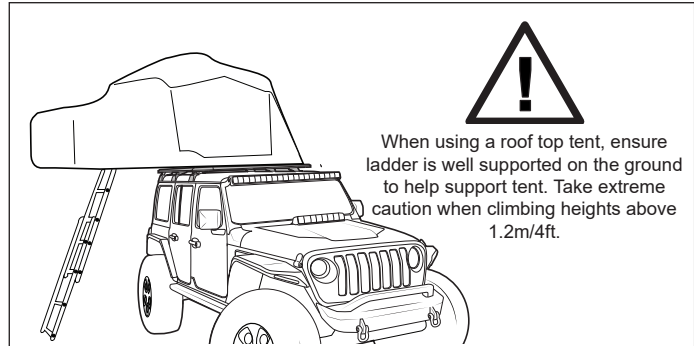
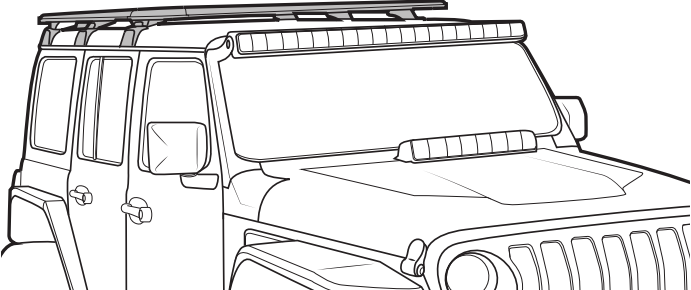
On Road Cargo Allowance:
81kg - 99.5kg (Refer to Page 1).



Off-Road Cargo Allowance:
57kg - 79kg (Refer to Page 1)



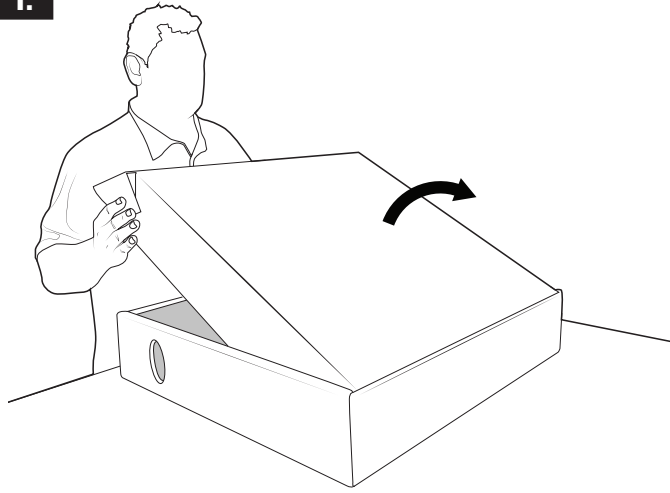
System Weight:
20.5kg - 39kg (Refer to Page 1)



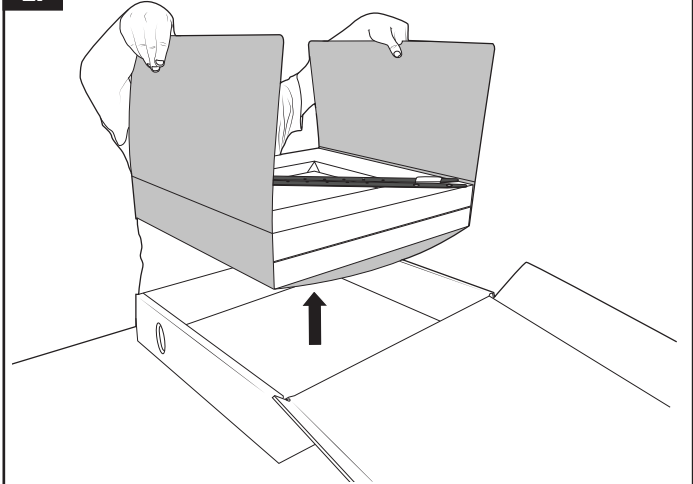
Jeep Wrangler JL 4-Door - RJLB1

Prepare for Assembly. Prepararse para el montaje

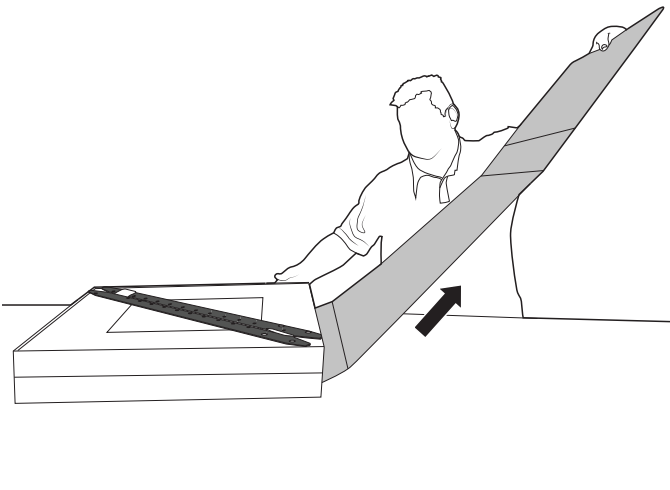
1.



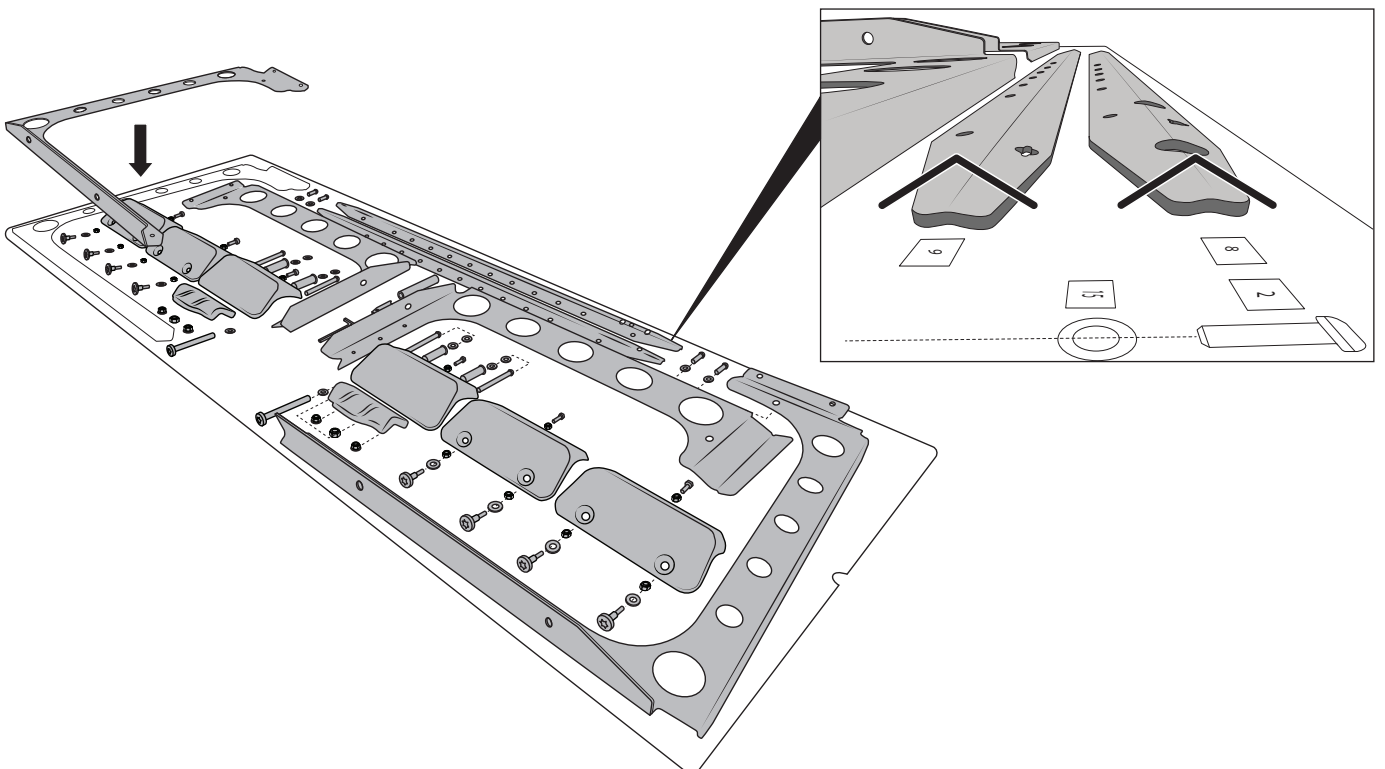
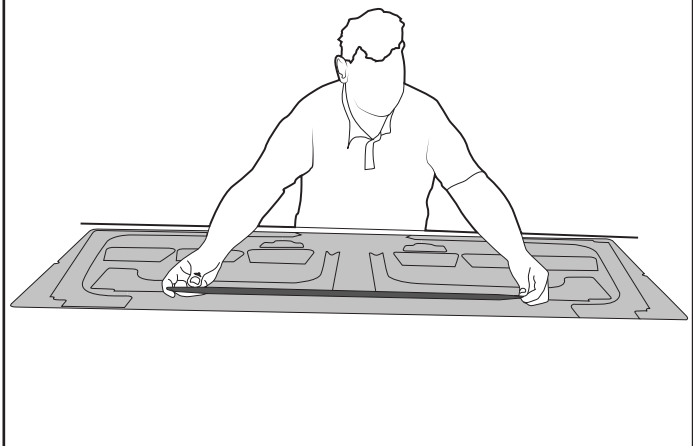
2.



3.

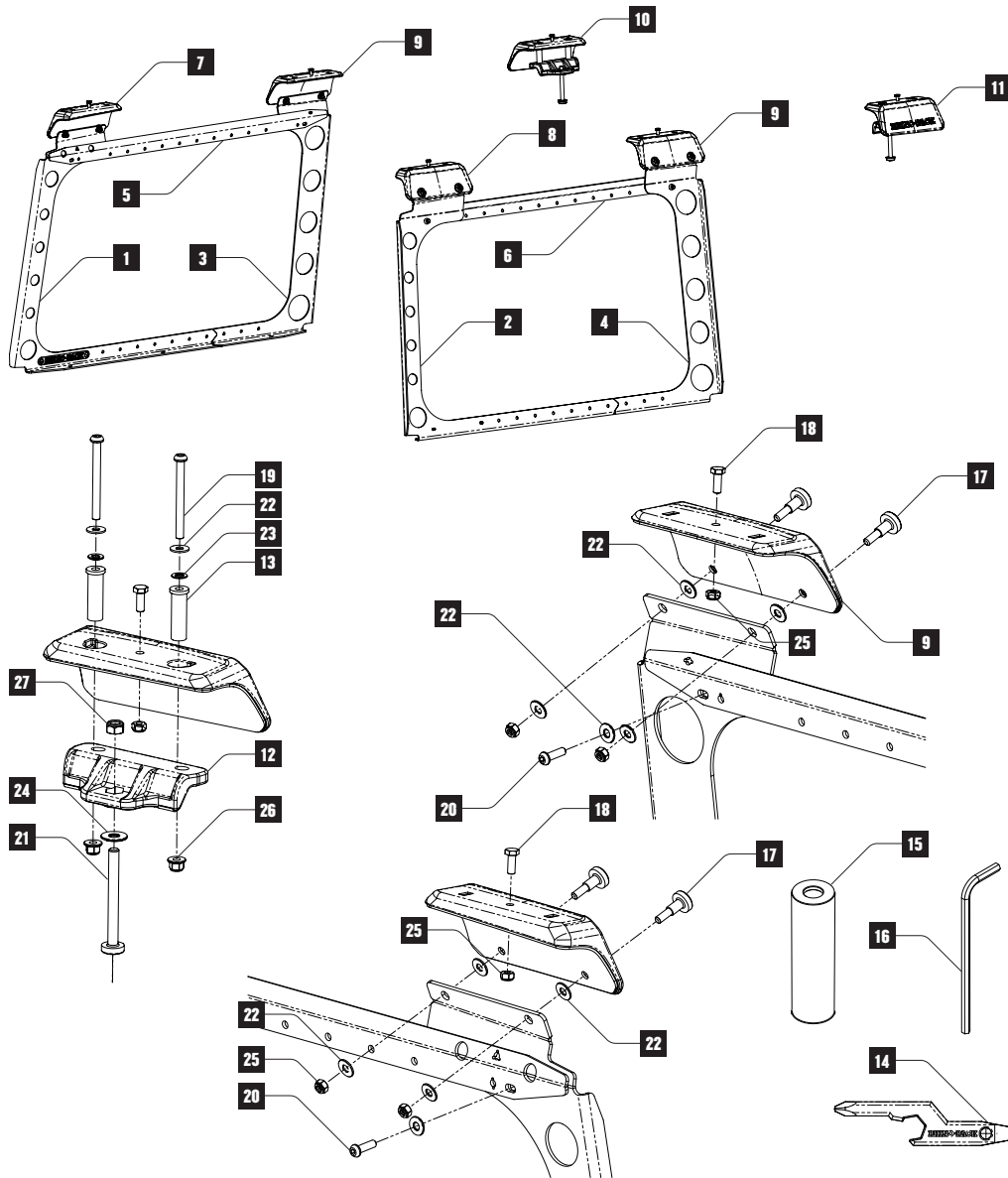


4.



Jeep Wrangler JL 4-Door - RJLB1

PARTS LIST



ITEM	DESCRIPTION	QTY	PART NO.
1	REAR LEFT UPRIGHT	1	CA1943
2	REAR RIGHT UPRIGHT	1	CA1942
3	FRONT LEFT UPRIGHT	1	CA1945
4	FRONT RIGHT UPRIGHT	1	CA1944
5	LEFT HORIZONTAL	1	CA1947
6	RIGHT HORIZONTAL	1	CA1946
7	REAR LEFT CASTING	1	SUB0808
8	REAR RIGHT CASTING	1	SUB0809
9	MIDDLE CASTING	2	SUB0807
10	FRONT LEFT CASTING	1	SUB0806
11	FRONT RIGHT CASTING	1	SUB0805
12	ROLLBAR CASTING	2	SUB0804
13	SPACER BUSHING	4	CA1939
14	SPACER MULTITOOL	1	CA1957

15	12.5MM DRILL STOP	1	CA1958
16	4MM ALLEN KEY	1	H049
17	M6 T50 SHOULDER BOLT	8	B276-BLK
18	M6 X 16 HEX BOLT	6	B168
19	M6 X 65 DOMEHEAD BOLT	4	B274-BLK
20	M6 X 20 DOMEHEAD BOLT	4	B277-BLK
21	M8 X 80 T50 DOMEHEAD BOLT	2	B275-BLK
22	M6 X 16 FLAT WASHER	24	W031-BLK
23	M6 RUBBER WASHER	4	W070
24	M8 X 21 FLAT WASHER	2	W020-BLK
25	M6 NYLOC NUT	8	N069-BLK
26	M6 FLANGED NYLOC NUT	4	N081-BLK
27	M8 NYLOC NUT	-	N043-BLK
28	INSTRUCTIONS	1	R1823

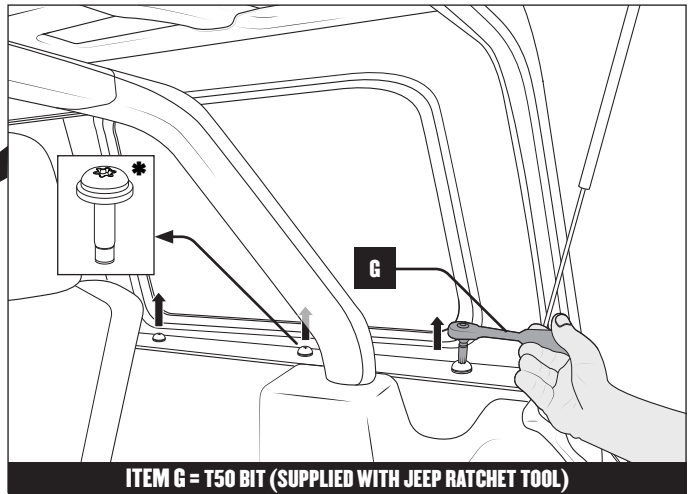
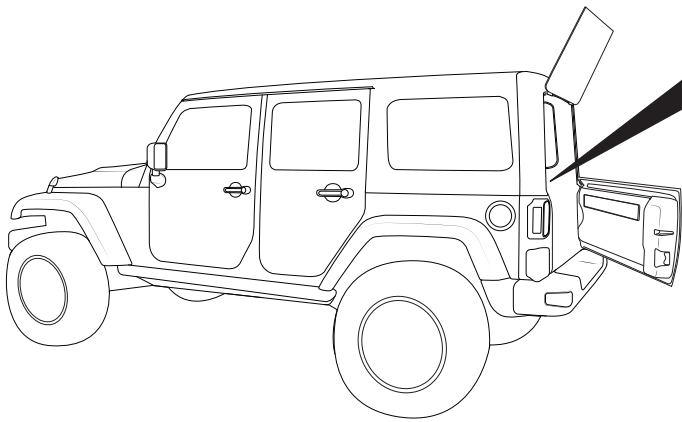
ITEM	TOOLS REQUIRED
A	POWER DRILL
B	12.5MM - 1/2" DRILL BIT
C	6MM - 1/4" DRILL BIT
D	8.5MM - 5/16" DRILL BIT
E	VACUUM
F	BUTYL MASTIC
G	T50 BIT (SUPPLIED WITH JEEP RATCHET TOOL)
H	PERSONAL PROTECTIVE EQUIPMENT

Jeep Wrangler JL 4-Door - RJLB1

1.

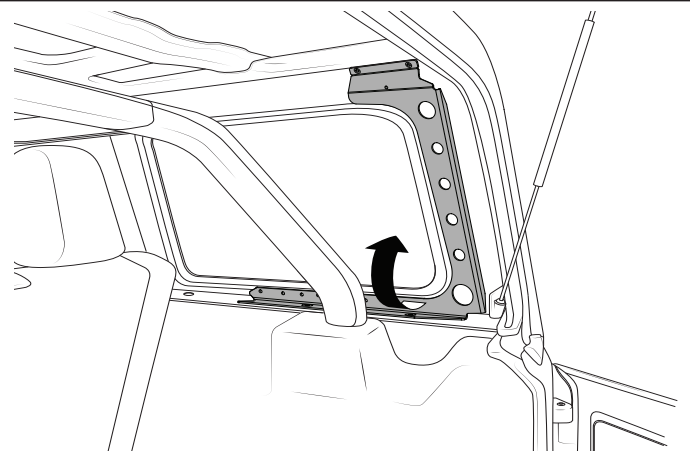
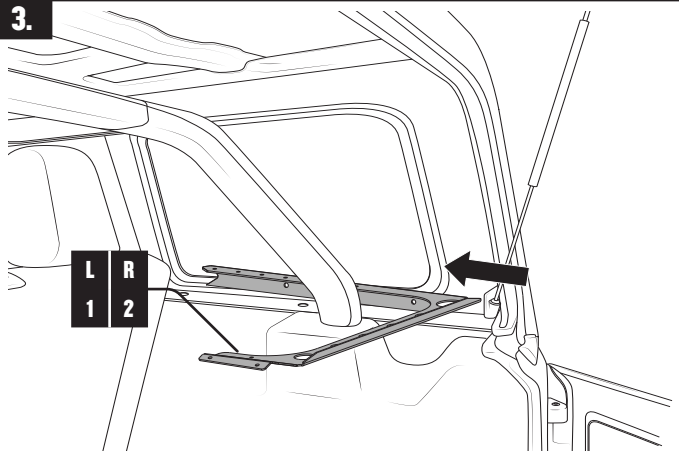


2.

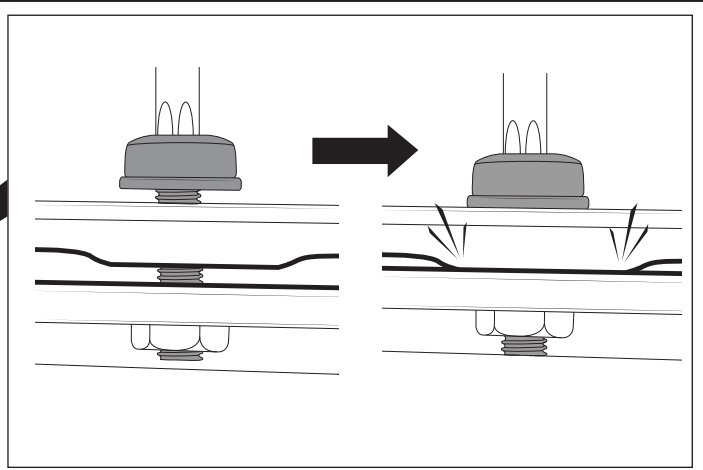
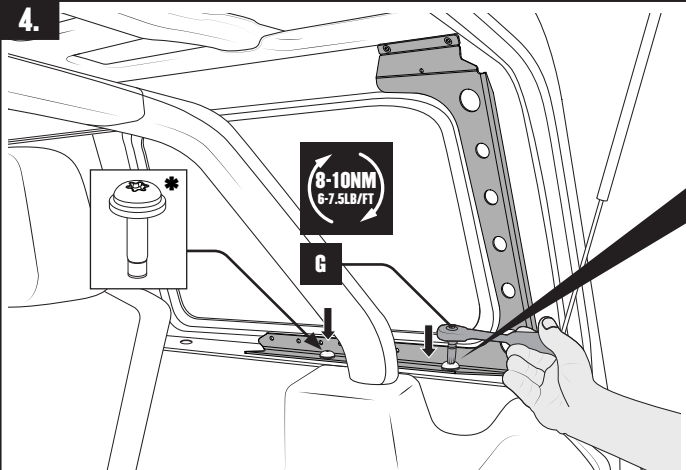


ITEM G = T50 BIT (SUPPLIED WITH JEEP RATCHET TOOL)

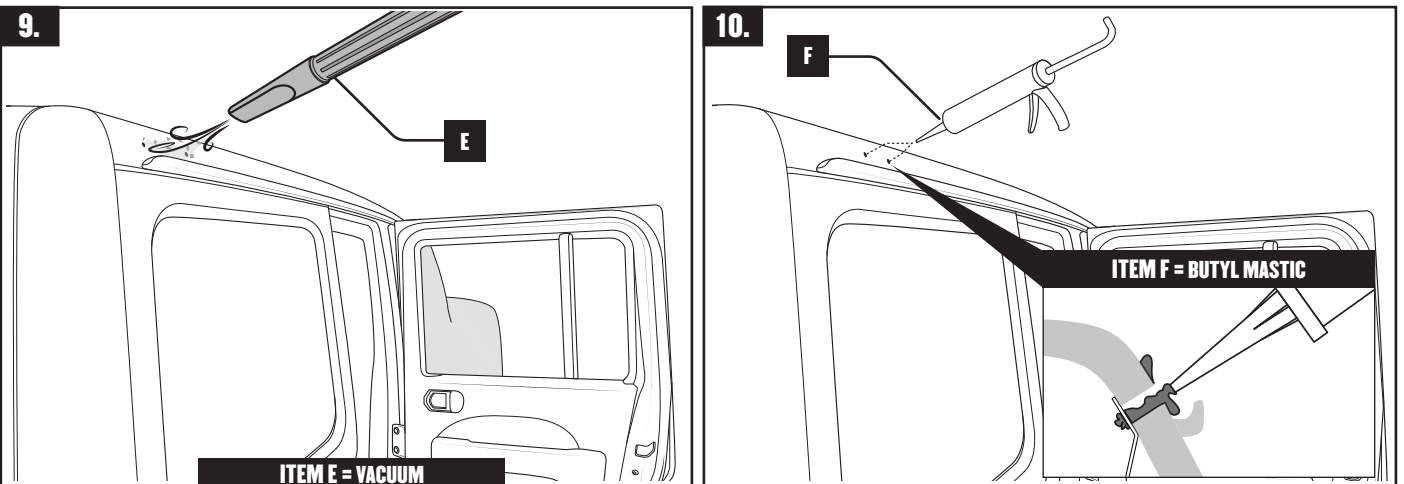
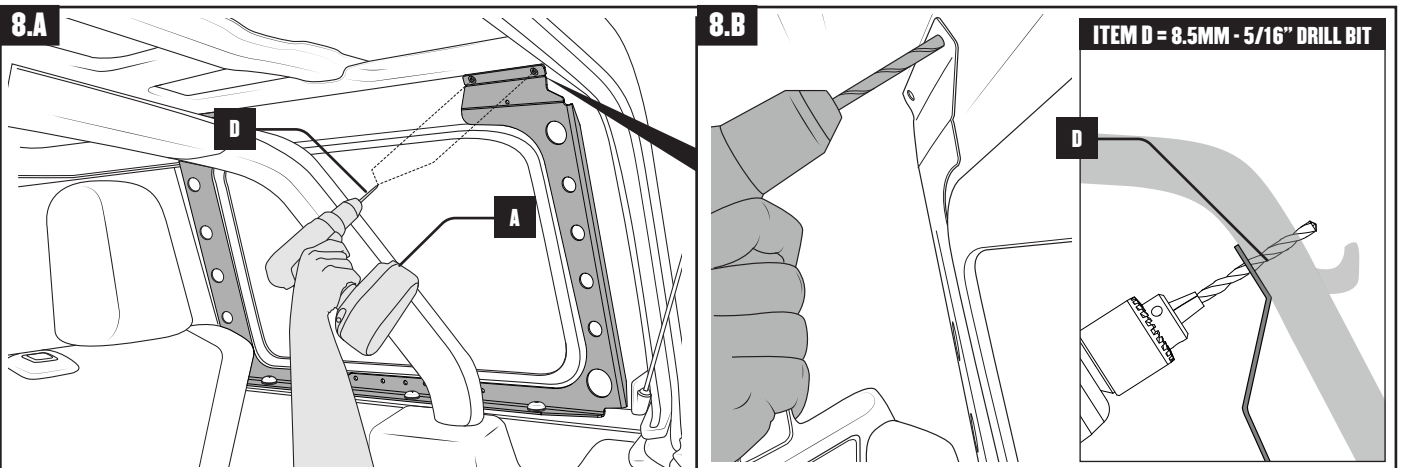
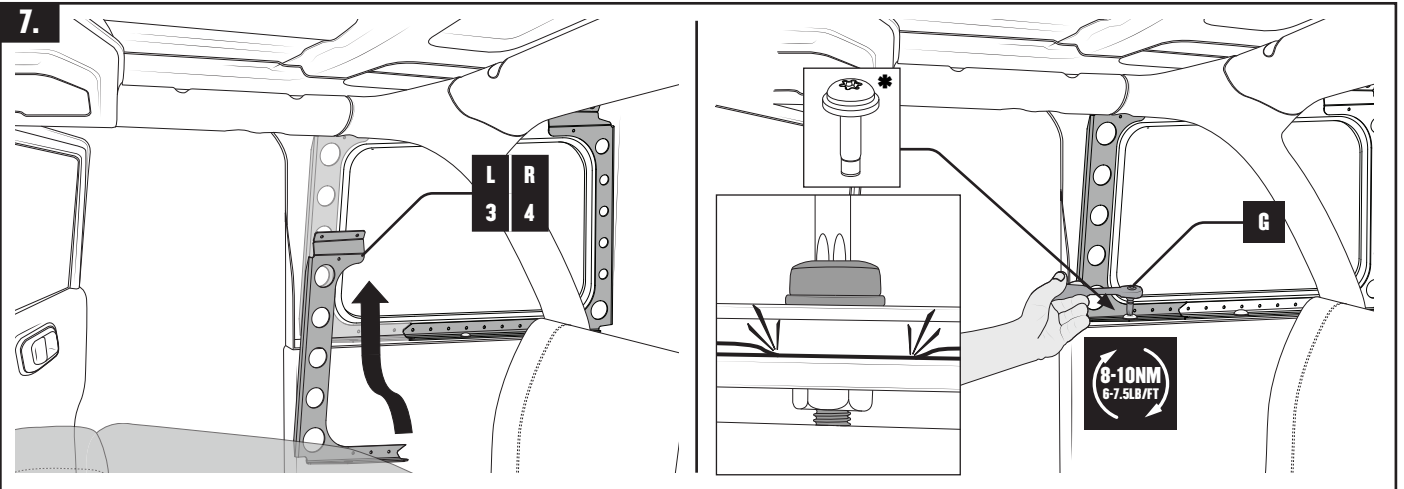
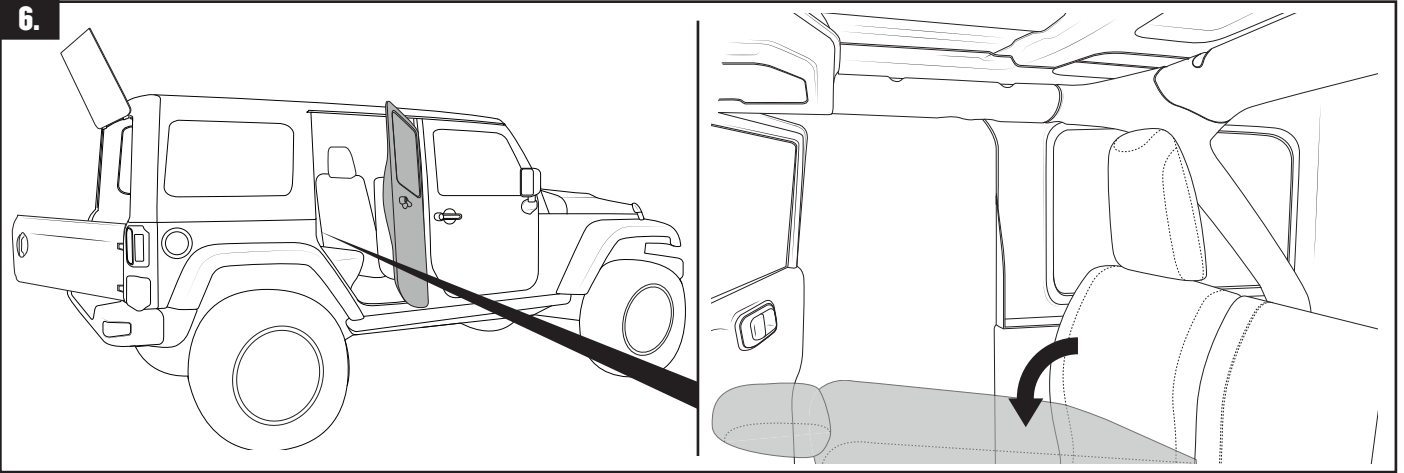
3.



4.

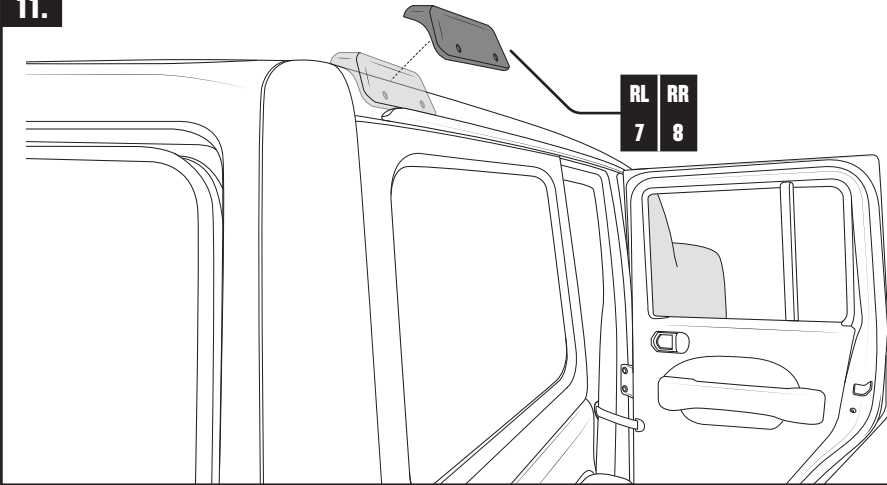


Jeep Wrangler JL 4-Door - RJLB1

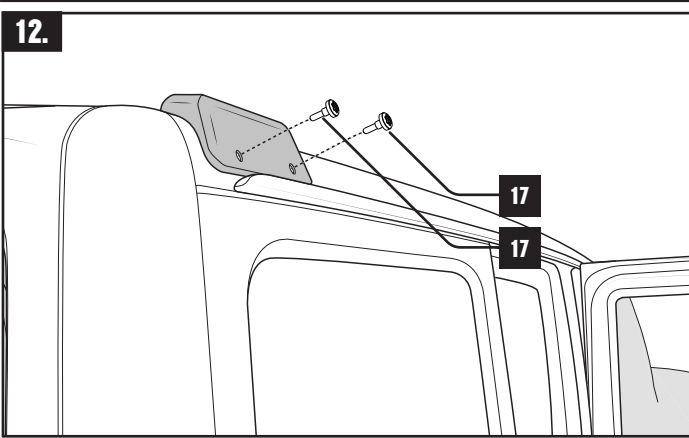


Jeep Wrangler JL 4-Door - RJLB1

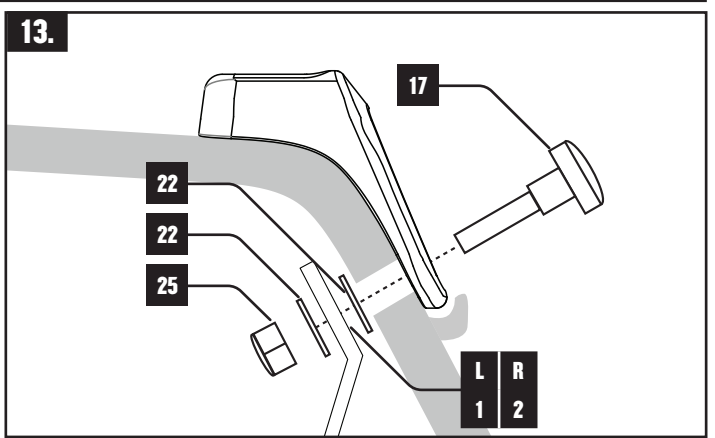
11.



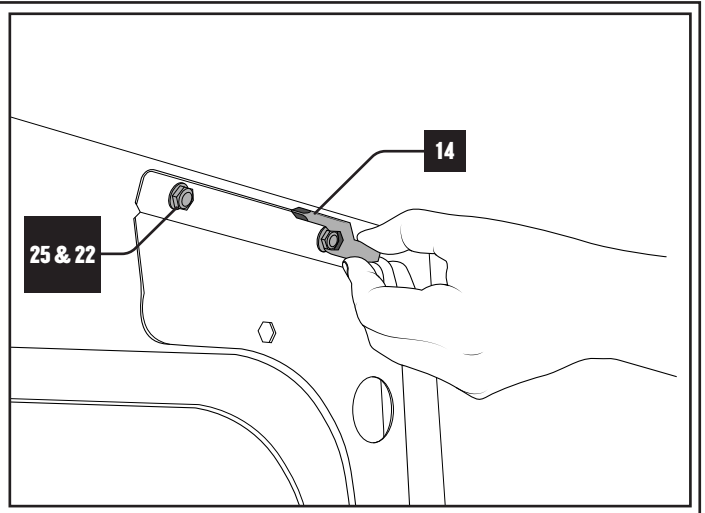
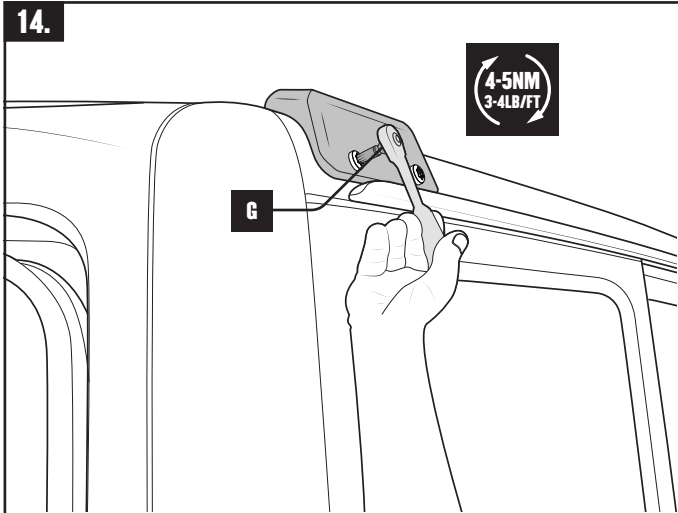
12.



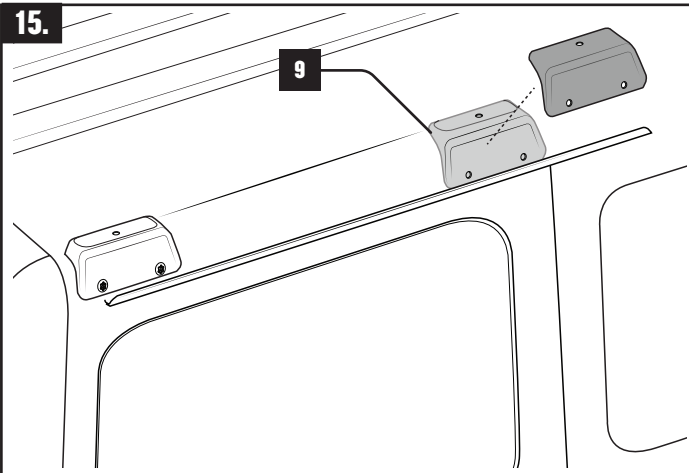
13.



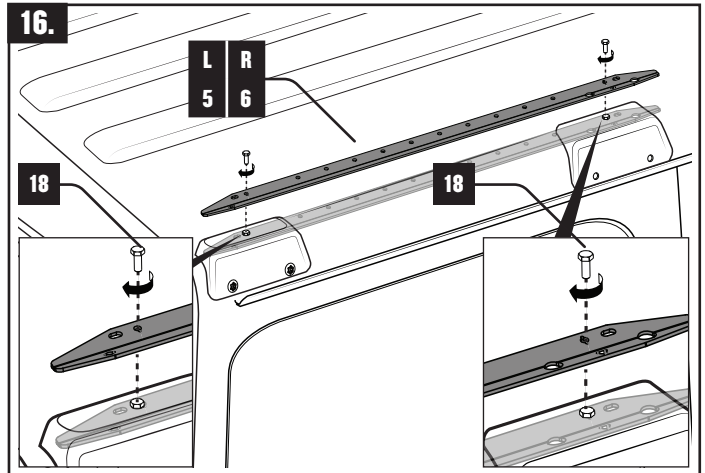
14.



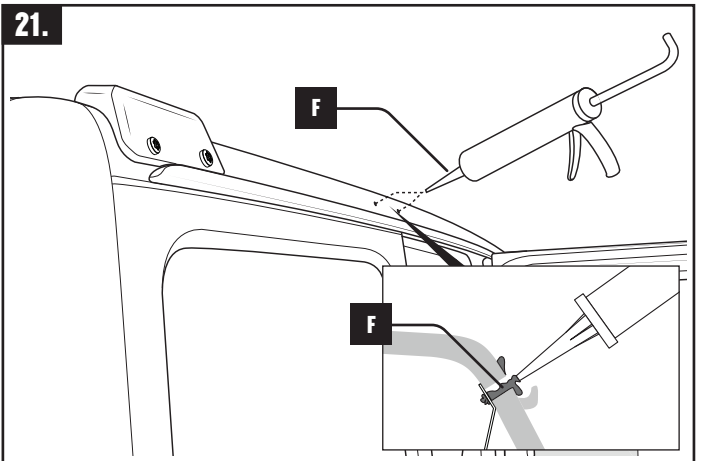
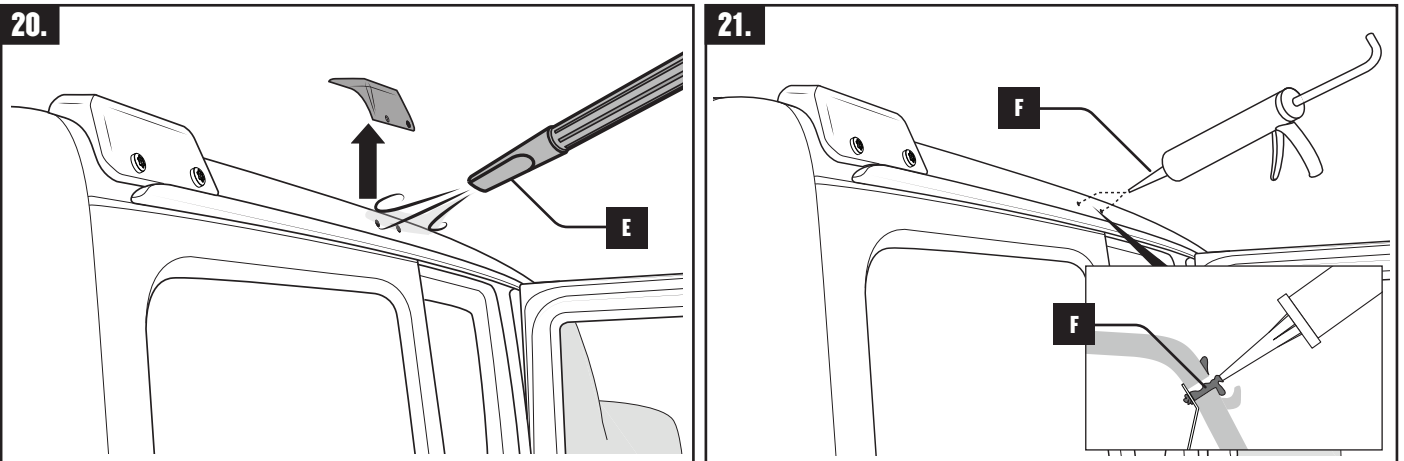
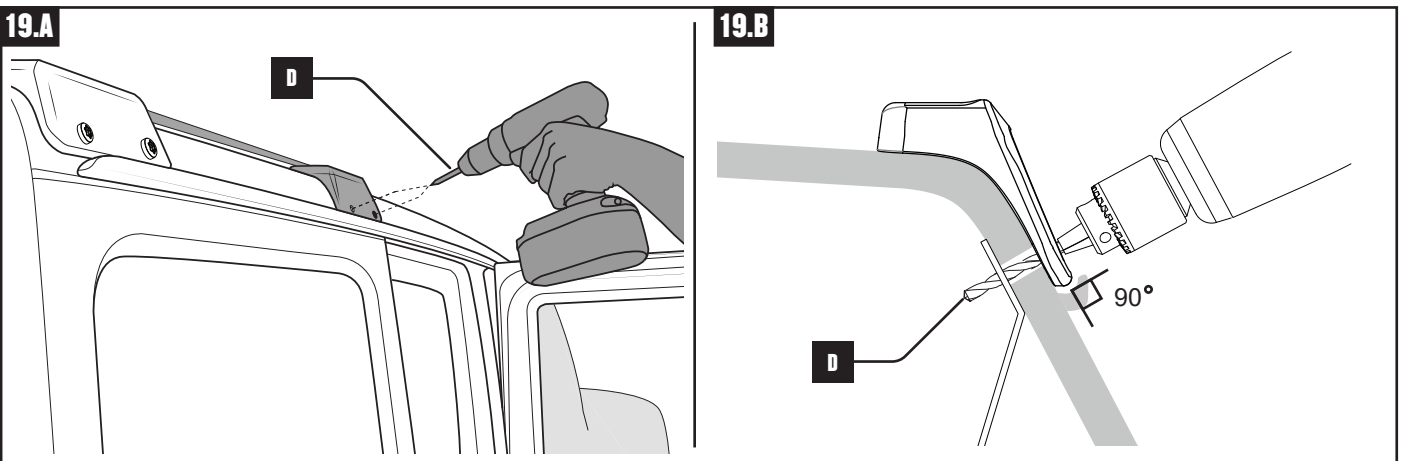
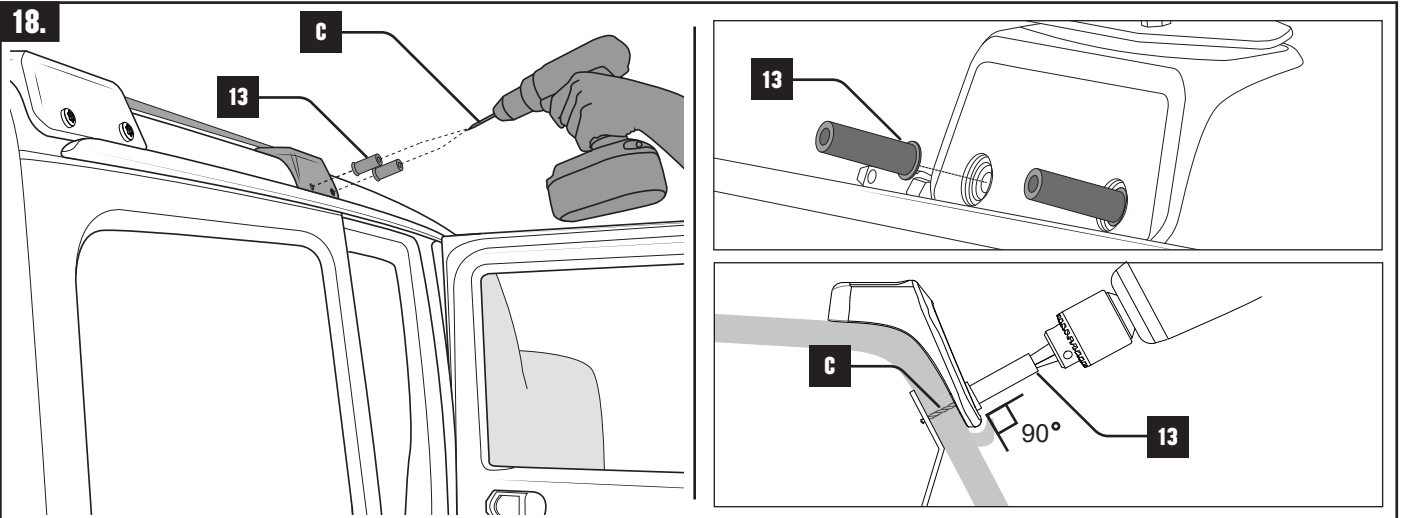
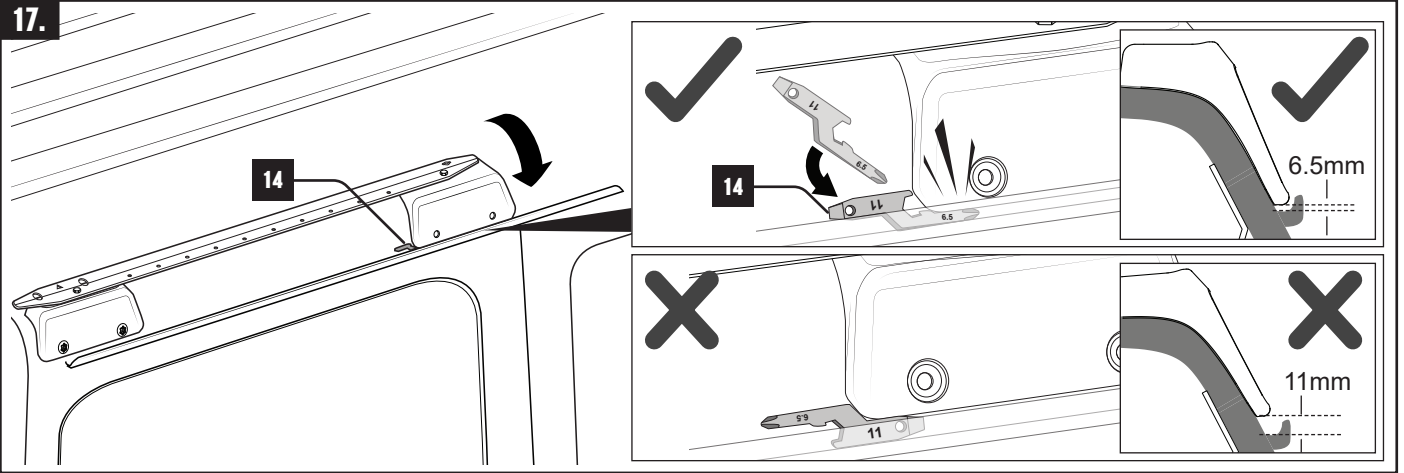
15.



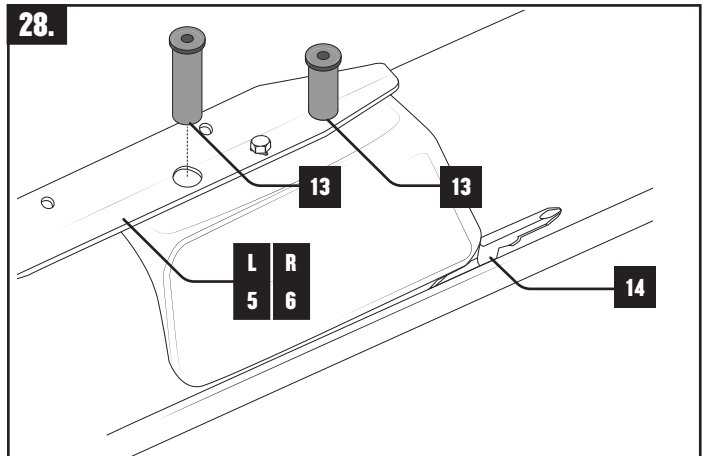
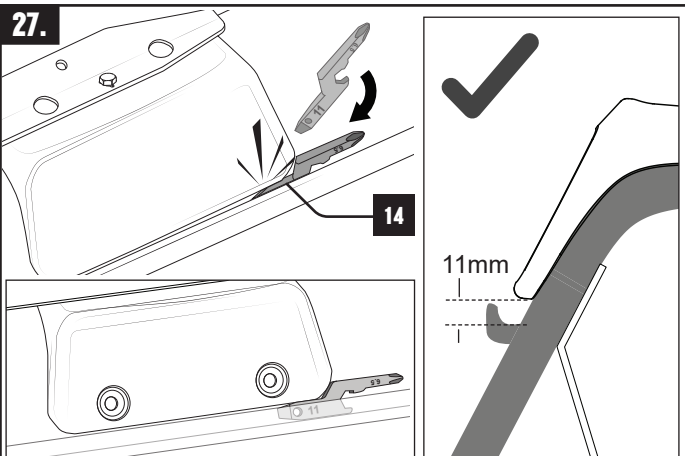
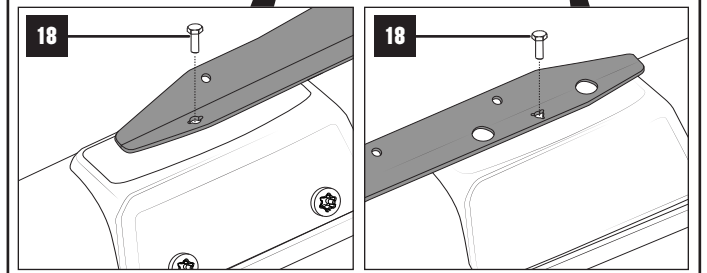
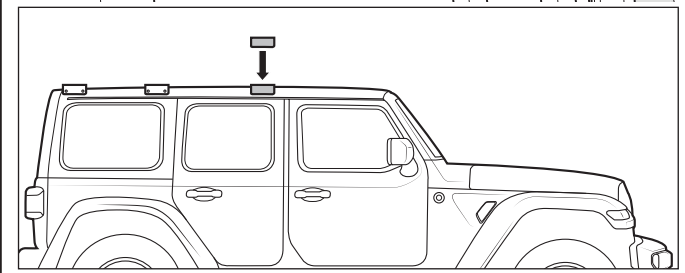
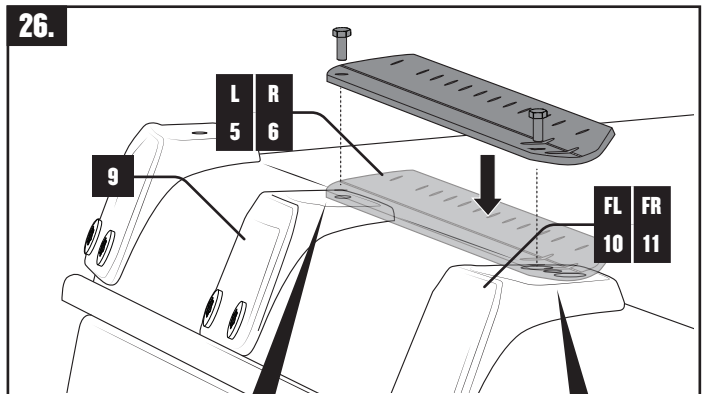
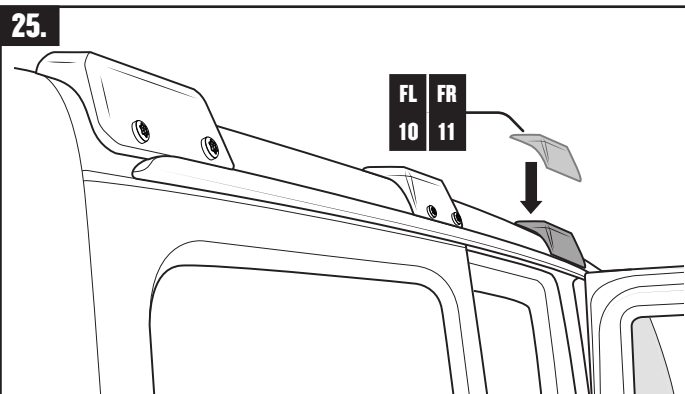
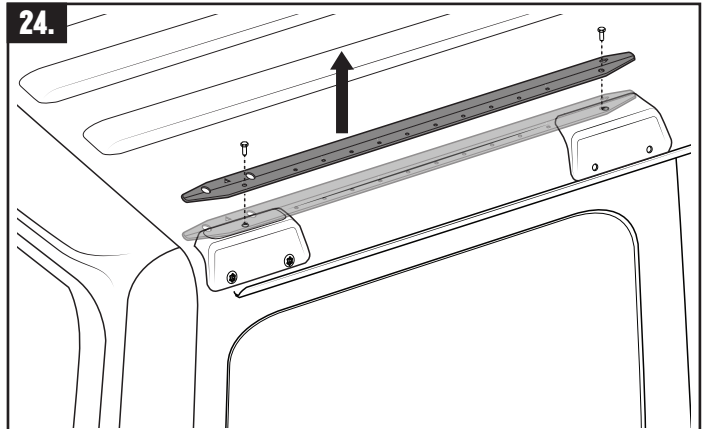
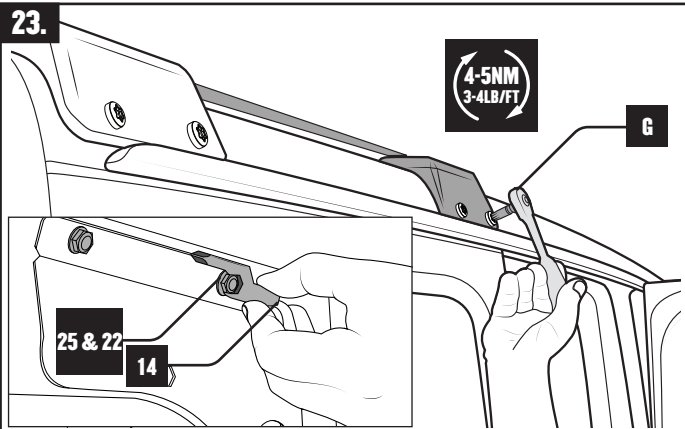
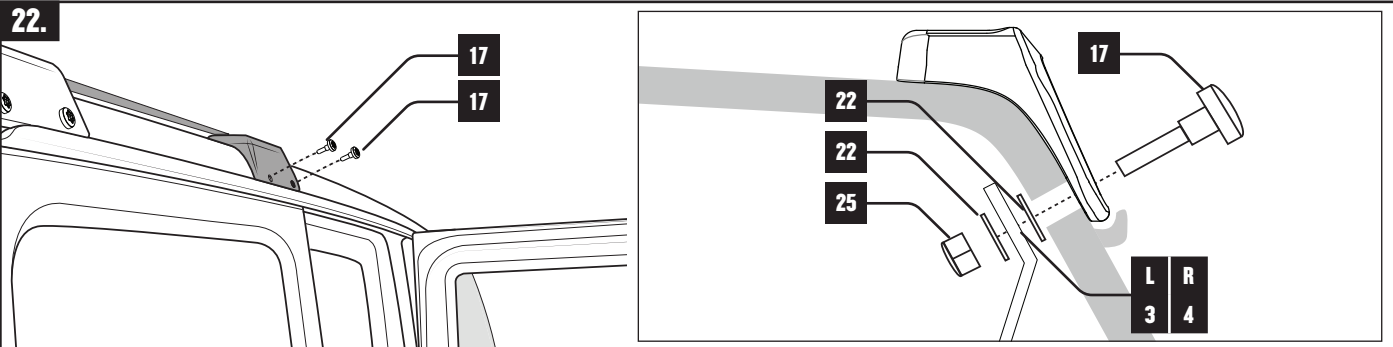
16.



Jeep Wrangler JL 4-Door - RJLB1

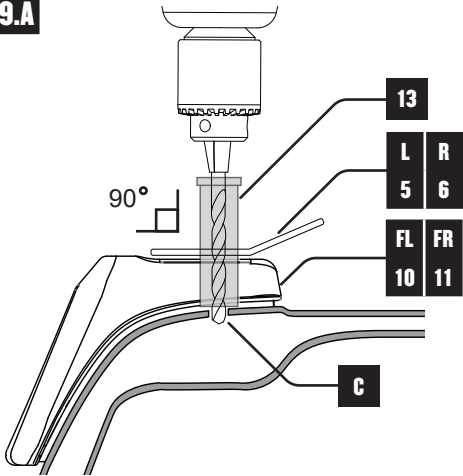


Jeep Wrangler JL 4-Door - RJLB1

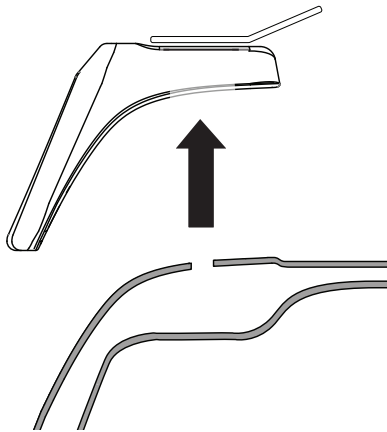


Jeep Wrangler JL 4-Door - RJLB1

29.A

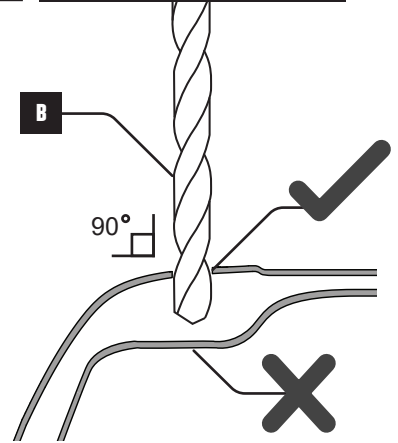


29.B

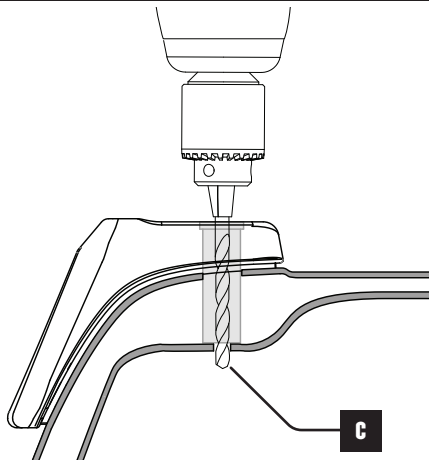


29.

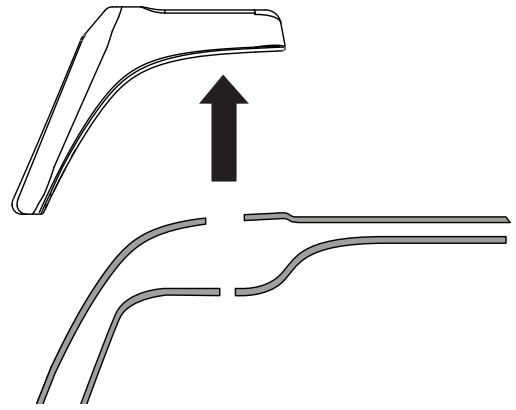
ITEM B = 12.5MM - 1/2" DRILL BIT



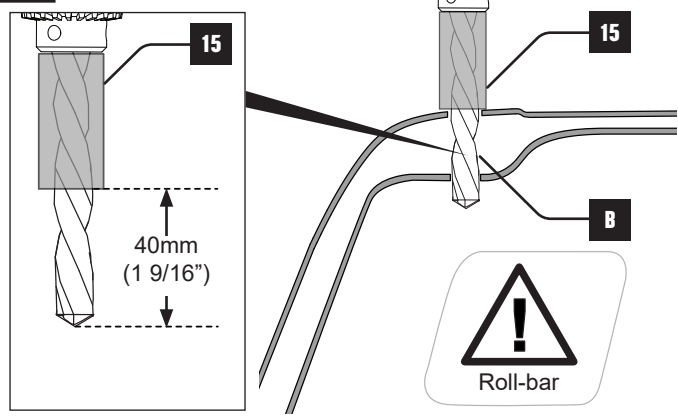
30.A



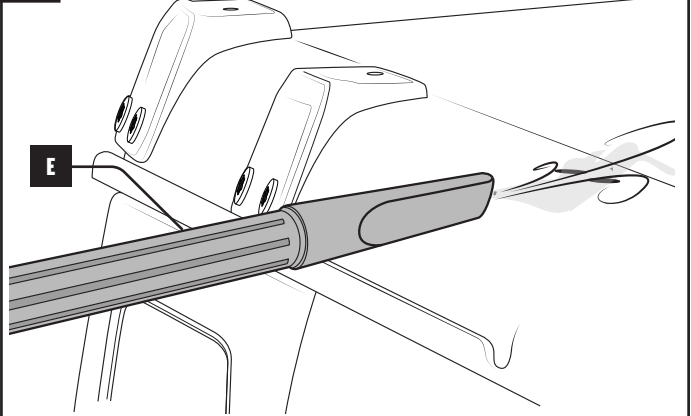
30.B



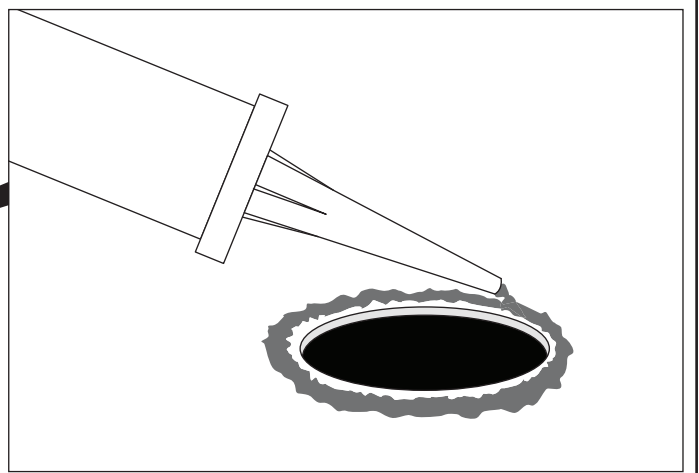
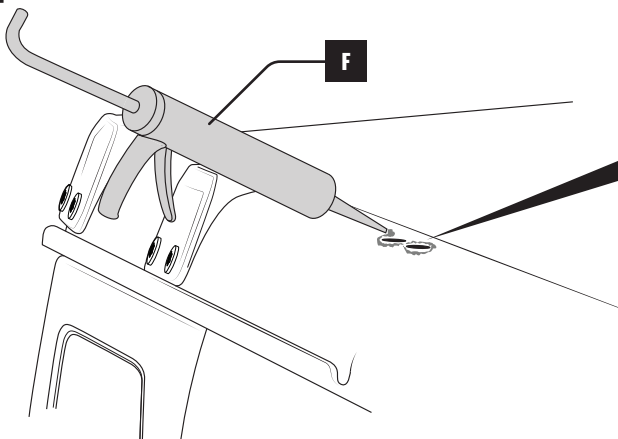
31.



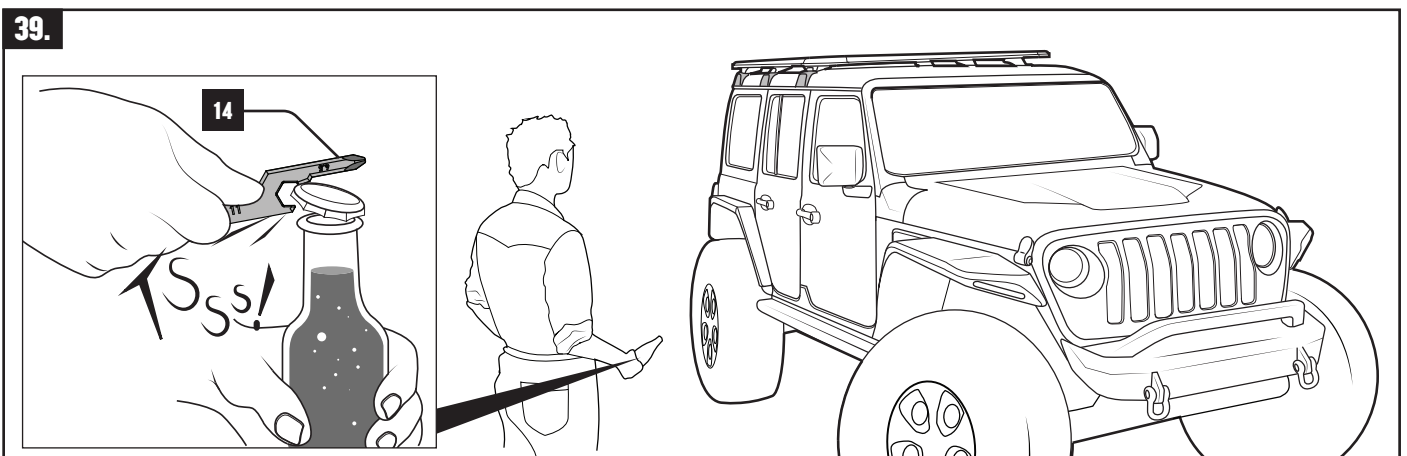
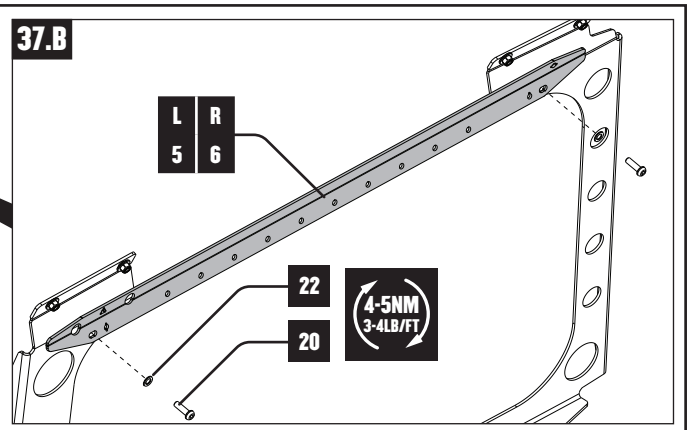
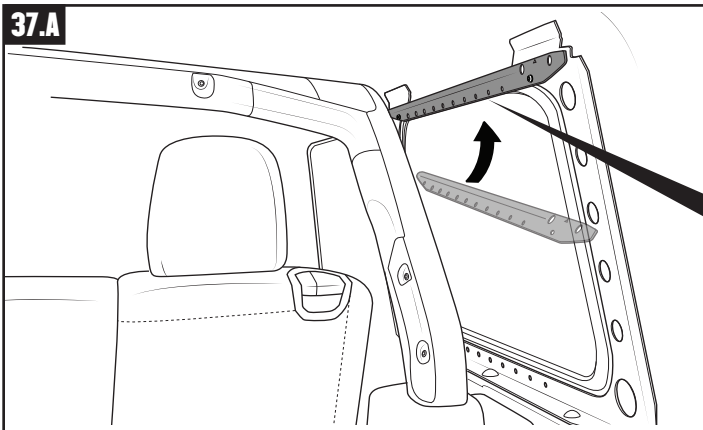
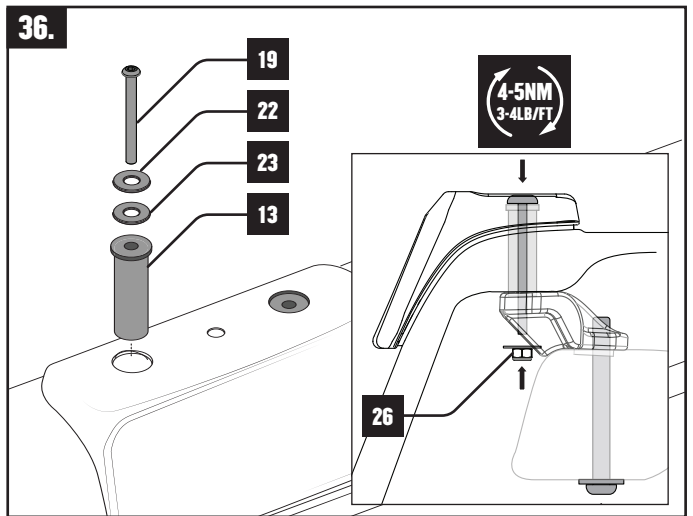
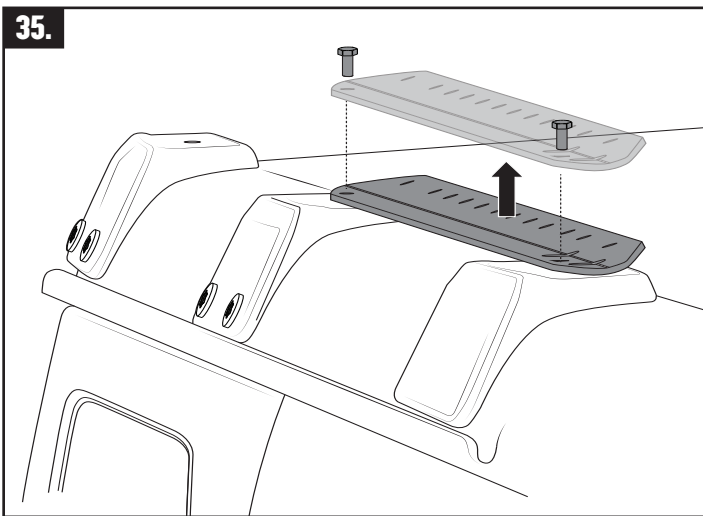
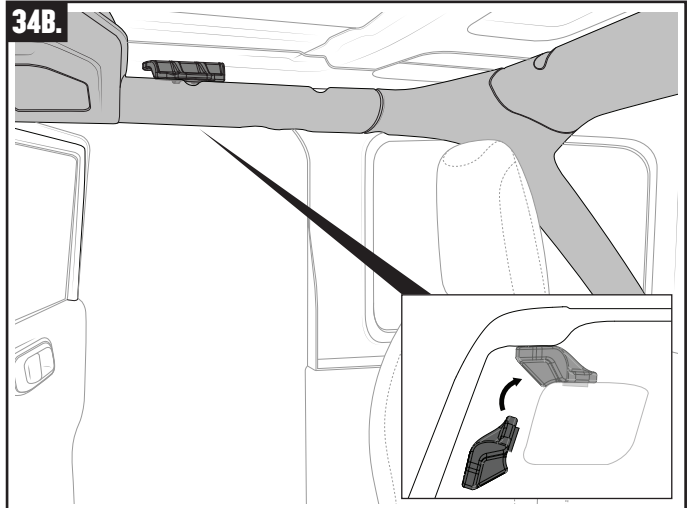
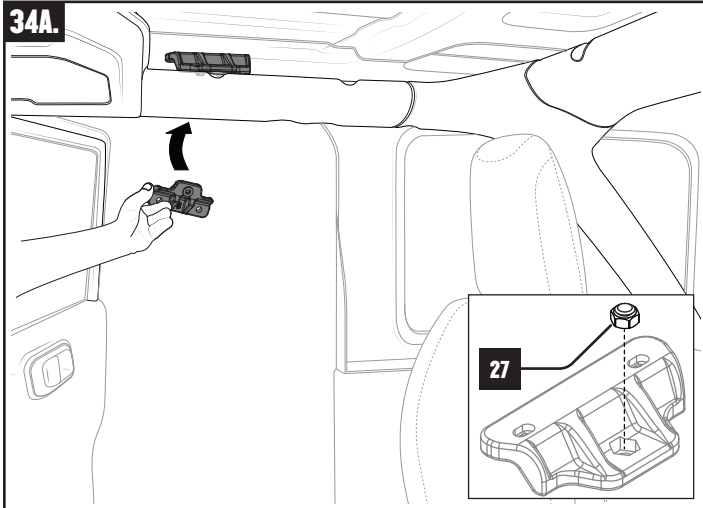
32.



33.



Jeep Wrangler JL 4-Door - RJLB1



Jeep Wrangler JL 4-Door - RJLB1

REMOVING CANOPY AFTER BACKBONE FITMENT

